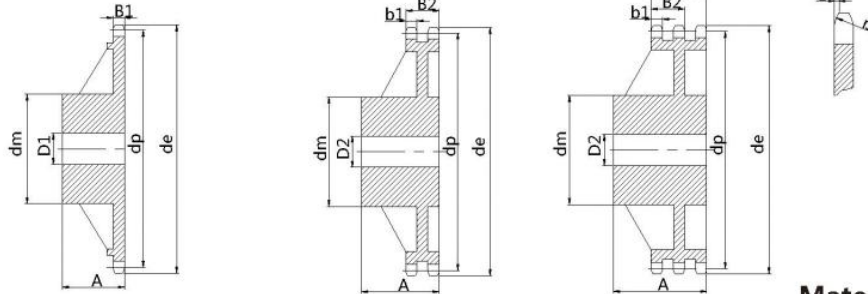


CAST IRON SPROCKETS

Piñones de hierro fundido



Material:GG22-GG25

SPROCKETS mm

Tooth radius r_3	10
Radius width C	1
Tooth width B_1	5.3
Tooth width b_1	5.2
Tooth width B_2	15.4
Tooth width B_3	25.6

CHAIN mm

Pitch	9.525
Internal width	5.72
Roller Φ	6.35

SPROCKETS mm

Tooth radius r_3	13
Radius width C	1.3
Tooth width B_1	7.2
Tooth width b_1	7
Tooth width B_2	21
Tooth width B_3	34.9

CHAIN mm

Pitch	12.7
Internal width	7.75
Roller Φ	8.51

SPROCKETS mm

Tooth radius r_3	16
Radius width C	1.6
Tooth width B_1	9.1
Tooth width b_1	9
Tooth width B_2	25.5
Tooth width B_3	42.1

CHAIN mm

Pitch	15.875
Internal width	9.65
Roller Φ	10.16

SPROCKETS mm

Tooth radius r_3	19
Radius width C	2
Tooth width B_1	11.1
Tooth width b_1	10.8
Tooth width B_2	30.3
Tooth width B_3	49.8

CHAIN mm

Pitch	19.05
Internal width	11.68
Roller Φ	12.07

3/8" x 7/32" 06B-1-2-3 Acc.to DIN8187 ISO/R 606

Z	d_s	d_p	SIMPLEX			DUPLEX			TRIPLEX		
			d_n	D_1	A	d_n	D_2	A	d_n	D_3	A
38	119.5	115.35	70	20	32	80	20	40	90	24	56
45	140.7	136.55	70	20	32	80	20	40	90	24	56
57	176.9	172.91	70	20	32	80	20	40	90	24	56
76	234.9	230.49	70	20	32	80	20	40	100	24	56
95	292.5	288.08	80	20	40	90	20	45	100	24	56
114	349.6	345.68	80	20	40	95	20	45	100	24	56
150	459.2	454.82	90	24	45	100	24	50	125	24	60

1/2" x 5/16" 08B-1-2-3 Acc.to DIN8187 ISO/R 606

Z	d_s	d_p	SIMPLEX			DUPLEX			TRIPLEX		
			d_n	D_1	A	d_n	D_2	A	d_n	D_3	A
38	158.6	153.80	70	20	40	90	24	50	100	24	60
45	188.0	182.07	70	20	40	90	24	50	100	24	60
57	236.4	230.54	70	20	40	90	24	50	100	24	60
76	313.3	307.33	80	24	40	100	24	56	100	24	60
95	390.1	384.11	80	24	45	100	24	56	120	24	67
114	466.9	460.90	80	24	45	100	24	63	120	24	67

5/8" x 3/8" 10B-1-2-3 Acc.to DIN8187 ISO/R 606

Z	d_s	d_p	SIMPLEX			DUPLEX			TRIPLEX		
			d_n	D_1	A	d_n	D_2	A	d_n	D_3	A
38	199.2	192.24	80	20	40	100	30	50	100	32	60
45	235.0	227.58	80	20	40	100	30	50	100	32	60
57	296.0	288.18	90	24	45	100	30	56	100	32	63
76	392.1	384.16	90	24	50	100	30	56	110	35	67
95	488.5	480.14	100	24	56	110	30	63	125	35	70
114	584.1	576.13	100	24	56	125	30	70	125	35	80

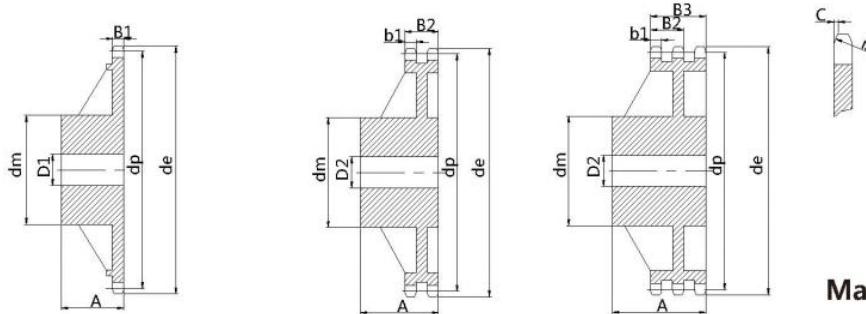
3/4" x 7/16" 12B-1-2-3 Acc.to DIN8187 ISO/R 606

Z	d_s	d_p	SIMPLEX			DUPLEX			TRIPLEX		
			d_n	D_1	A	d_n	D_2	A	d_n	D_3	A
38	239.0	230.69	100	24	56	110	30	63	140	30	70
45	282.5	273.10	100	24	56	110	30	63	140	30	70
57	354.0	345.81	100	30	56	120	30	63	140	40	70
76	469.9	460.99	100	30	56	135	30	63	160	40	75
95	585.1	576.17	100	30	65	135	30	70	170	40	82
114	700.6	691.36	100	30	65	135	30	70	170	50	82



CAST IRON SPROCKETS

Piñones de hierro fundido



Material:GG22-GG25

SPROCKETS mm

Tooth radius r_3	26
Radius width C	2.5
Tooth width B_1	16.2
Tooth width b_1	15.8
Tooth width B_2	47.7
Tooth width B_3	79.6

CHAIN mm

Pitch	25.4
Internal width	17.02
Roller Φ	15.88

1" x 17.02mm 16B-1-2-3 Acc.to DIN8187 ISO/R 606

Z	d_o	d_p	SIMPLEX			DUPLEX			TRIPLEX		
			d_w	D_1	A	d_w	D_2	A	d_w	D_1	A
30	254.0	243.00	110	30	65	125	40	75	145	40	90
38	320.0	307.59	110	30	65	140	40	75	160	45	100
45	377.0	364.13	125	30	70	150	40	75	160	45	100
57	474.0	461.08	125	35	70	170	40	90	165	45	100
76	627.0	614.65	140	35	80	175	40	95	200	45	110
95	781.0	768.22	140	40	80	175	45	95	200	50	110
114	933.0	921.81	140	40	80	175	45	95	200	50	115

SPROCKETS mm

Tooth radius r_3	32
Radius width C	3.5
Tooth width B_1	18.5
Tooth width b_1	18.2
Tooth width B_2	54.6
Tooth width B_3	91

CHAIN mm

Pitch	31.75
Internal width	19.56
Roller Φ	19.05

1 1/4" x 3/4" 20B-1-2-3 Acc.to DIN8187 ISO/R 606

Z	d_o	d_p	SIMPLEX			DUPLEX			TRIPLEX		
			d_w	D_1	A	d_w	D_2	A	d_w	D_1	A
30	318.9	303.75	115	35	70	130	40	80	160	50	100
38	399.6	384.49	125	35	70	140	45	90	180	56	110
45	470.3	455.17	125	35	70	140	45	90	180	56	110
57	591.5	576.36	135	40	80	160	50	100	180	60	125
76	783.5	768.32	140	40	90	180	50	100	200	60	140

SPROCKETS mm

Tooth radius r_3	38
Radius width C	4
Tooth width B_1	24.1
Tooth width b_1	23.6
Tooth width B_2	72
Tooth width B_3	120.3

CHAIN mm

Pitch	38.1
Internal width	25.4
Roller Φ	25.4

1 1/2" x 1" 24B-1-2-3 Acc.to DIN8187 ISO/R 606

Z	d_o	d_p	SIMPLEX			DUPLEX			TRIPLEX		
			d_w	D_1	A	d_w	D_2	A	d_w	D_1	A
30	379.5	364.50	130	40	85	160	40	95	180	60	150
38	476.2	461.39	140	45	90	180	45	100	200	60	150
45	561.2	546.2	140	45	90	180	45	100	200	60	150
57	706.5	691.63	160	45	100	200	55	110	200	70	150
76	936.9	921.98	170	45	100	220	55	120	250	70	150



SPROCKET
Piñones